

FUEL PUMP ON-VEHICLE INSPECTION

SF19C-01

1. CHECK FUEL PUMP OPERATION

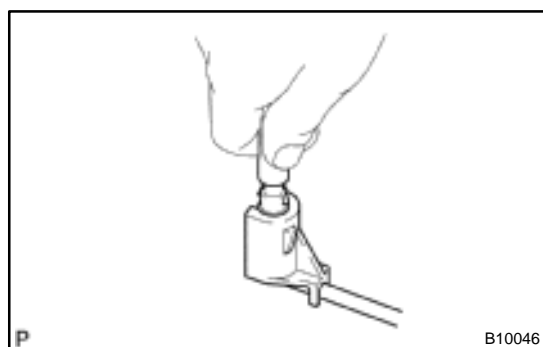
- (a) Connect a TOYOTA hand-held tester to the DLC3.
 - (1) Connect the TOYOTA hand-held tester to the DLC3.
 - (2) Turn the ignition switch ON and push the TOYOTA hand-held tester main switch ON.

NOTICE:

Do not start the engine.

- (3) Select the ACTIVE TEST mode on the TOYOTA hand-held tester.
- (4) Please refer to the TOYOTA hand-held tester operator's manual for further details.

If you have no TOYOTA hand-held tester, connect the positive (+) and negative (-) leads from the battery to the fuel pump connector (See step 3).

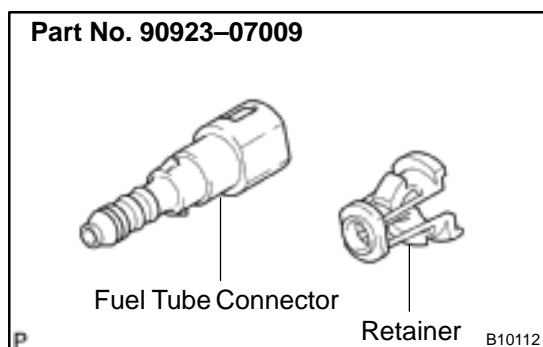


- (b) Check that there is pressure in the fuel inlet tube from the fuel line.

HINT:

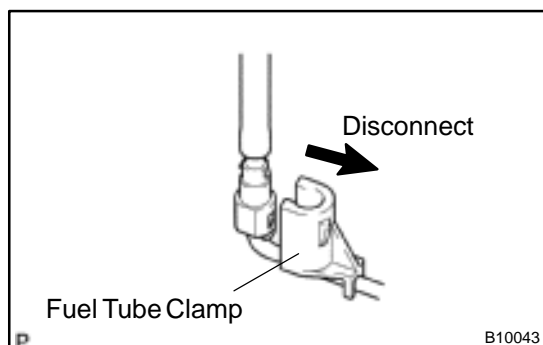
If there is fuel pressure, you will hear the sound of fuel flowing. If there is no pressure, check the fusible link, fuses, EFI Main relay, fuel pump, ECM and wiring connector.

- (c) Turn the ignition switch OFF.
- (d) Disconnect the TOYOTA hand-held tester from the DLC3.

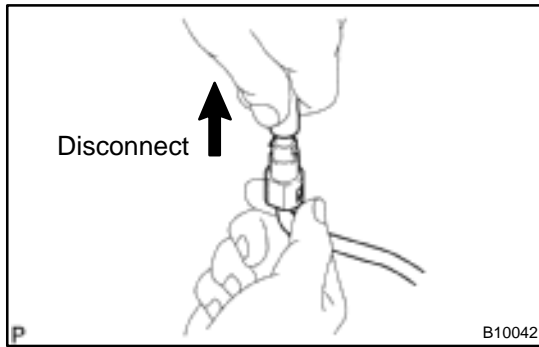


2. CHECK FUEL PRESSURE

- (a) Check the battery positive voltage is above 12 V.
- (b) Disconnect the negative (-) terminal cable from the battery.
- (c) Purchase a new fuel tube connector. Part No. 90923-07009



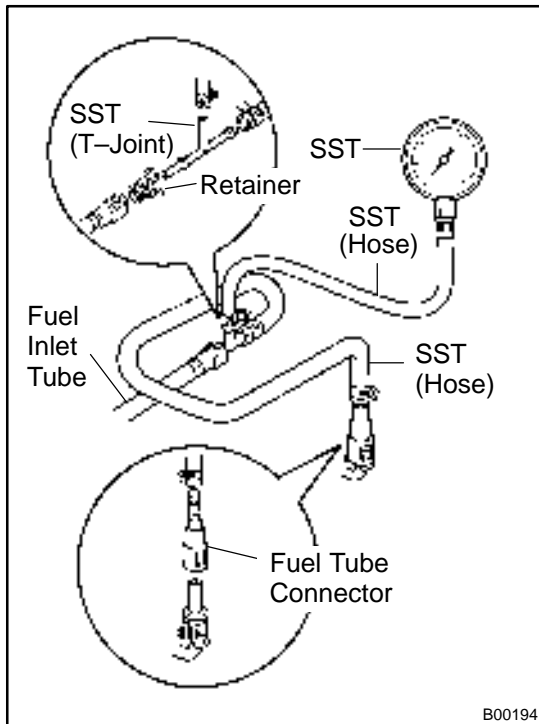
- (d) Disconnect the fuel tube clamp from the fuel tube connector.



- (e) Disconnect the fuel inlet tube (fuel tube connector) from the fuel pipe.

CAUTION:

- **Disconnect the fuel tube connector (quick type) observing the precaution (See page SF-1).**
- **As there is retained pressure in the fuel line, prevent it from splashing inside the engine compartment.**



- (f) Install SST (pressure gauge) as shown in the illustration by using SST and fuel tube connector.
SST 09268-41047, 09268-45014 (09268-41250)
- (g) Wipe off any splattered gasoline.
- (h) Reconnect the negative (-) terminal cable to the battery.
- (i) Connect the TOYOTA hand-held tester or OBDII scan tool to the DLC3 (See step 1).
- (j) Measure the fuel pressure.

Fuel pressure:

301 – 347 kPa (3.1 – 3.5 kgf/cm², 44 – 50 psi)

If pressure is high, replace the fuel pressure regulator.

If pressure is low, check the fuel hoses and connections, fuel pump, fuel filter and fuel pressure regulator.

- (k) Disconnect the TOYOTA hand-held tester or OBDII scan tool from the DLC3.
- (l) Start the engine.
- (m) Measure the fuel pressure at idle.

Fuel pressure:

301 – 347 kPa (3.1 – 3.5 kgf/cm², 44 – 50 psi)

- (n) Stop the engine.
- (o) Check that the fuel pressure remains as specified for 5 minutes after the engine has stopped.

Fuel pressure: 147 kPa (1.5 kgf/cm², 21 psi) or more

If pressure is not as specified, check the fuel pump, pressure regulator and/or injectors.

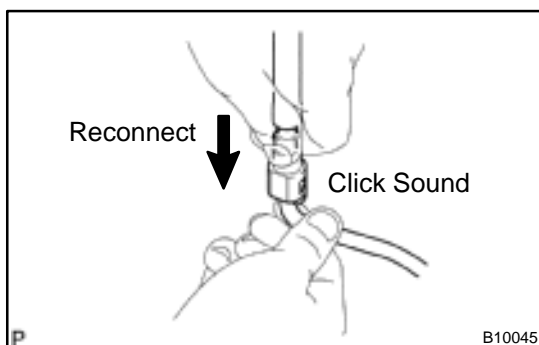
- (p) After checking fuel pressure, disconnect the negative (-) terminal cable from the battery and carefully, remove the SST and fuel tube connector to prevent gasoline from splashing.

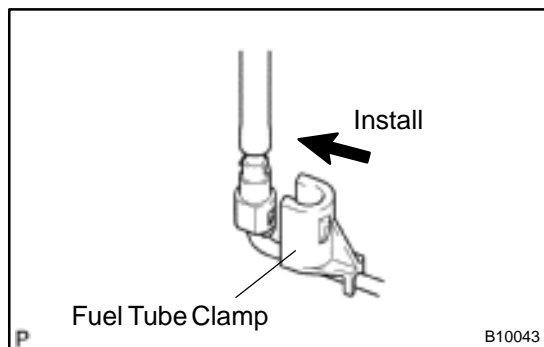
SST 09268-41047, 09268-45014

- (q) Reconnect the fuel inlet tube (fuel tube connector).

CAUTION:

Connect the fuel tube connector (quick type) observing the precaution (See page SF-1).

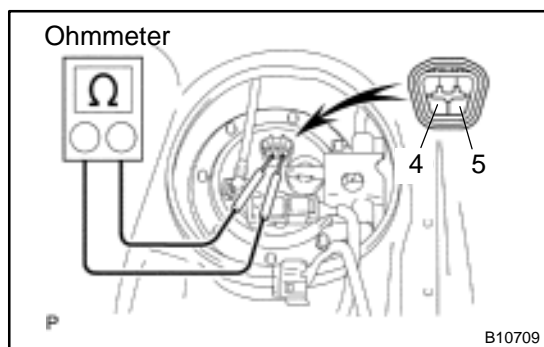




- (r) Install the fuel tube clamp to the fuel tube connector.
- (s) Reconnect the negative (-) terminal cable to the battery.
- (t) Check for fuel leaks (See page SF-1).

3. INSPECT FUEL PUMP

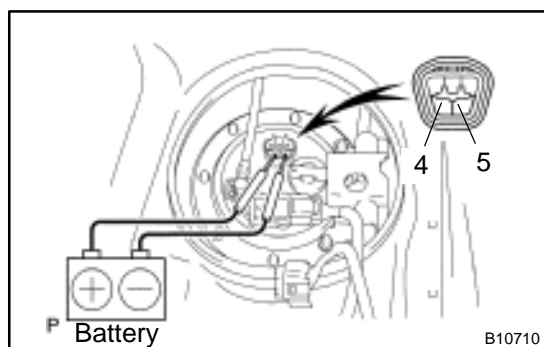
- (a) Remove the luggage compartment.
- (b) Remove the floor service hole cover.
- (c) Disconnect the fuel pump & sender gauge connector.



- (d) Using an ohmmeter, measure the resistance between terminals 4 and 5.

Resistance: 0.2 – 3.0 Ω at 20°C (68°F)

If the resistance is not as specified, replace the fuel pump.



- (e) Inspect the fuel pump operation. Connect the positive (+) lead from the battery to terminal 4 of the connector and the negative (-) terminal 5. Check that the pump operates.

NOTICE:

- **These tests must be done quickly (within 10 seconds) to prevent the coil from burning out.**
- **Keep the fuel pump as far away from the battery as possible.**
- **Always do the switching at the battery side.**

If operation is not as specified, replace the fuel pump.

- (f) Reconnect the fuel pump & sender gauge connector.
- (g) Reinstall the floor service hole cover.
- (h) Reinstall the luggage compartment.