

## REMOVAL

### 1. REMOVE SUSPENSION UPPER BRACE

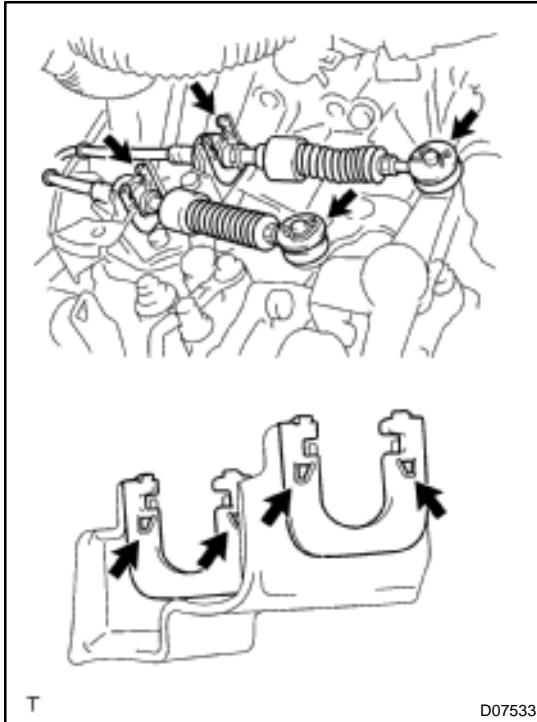
Torque:

74 N·m (755 kgf·cm, 55 ft·lbf) for bolt

80 N·m (816 kgf·cm, 59 ft·lbf) for nut

### 2. REMOVE AIR CLEANER CAP AND AIR HOSE ASSEMBLY

### 3. DISCONNECT WIRE HARNESS



### 4. DISCONNECT CONTROL CABLES FROM TRANSAXLE

(a) Remove the 2 clips and 2 washers.

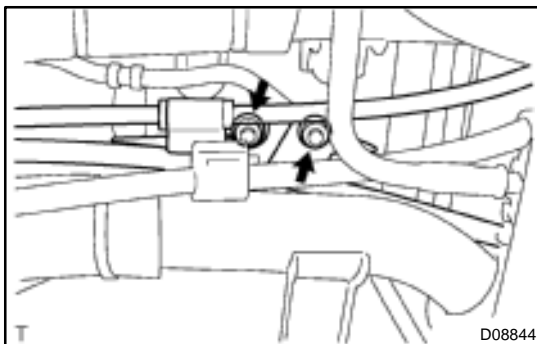
(b) Remove the 2 clips and disconnect the 2 control cables.

HINT:

Remove the select cable from the bracket by pressing the projection of the clip.

### 5. REMOVE SHIFT AND SELECT CONTROL CABLES

(a) Remove the fuel tank (See page [SF-29](#)).

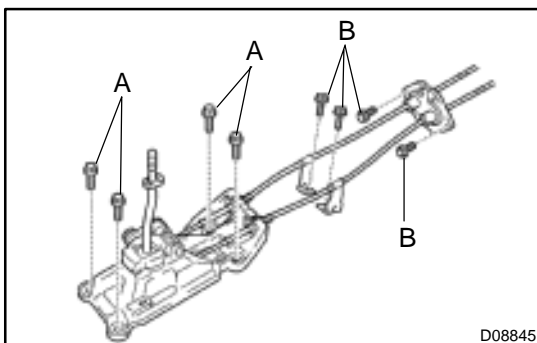


(b) Remove the 2 nuts.

**Torque: 5.0 N·m (51 kgf·cm, 44 in.-lbf)**

(c) Remove the driver and passenger seats (See page [BO-49](#)).

(d) Remove the console box (See page [BO-41](#)).



(e) Remove the 8 bolts and the shift lever and control cables assembly.

**Torque: 12 N·m (120 kgf·cm, 9 ft·lbf) for bolt A**

**Torque: 5.0 N·m (51 kgf·cm, 44 in.-lbf) for bolt B**

(f) Remove the shift and select control cables from the shift lever assembly.