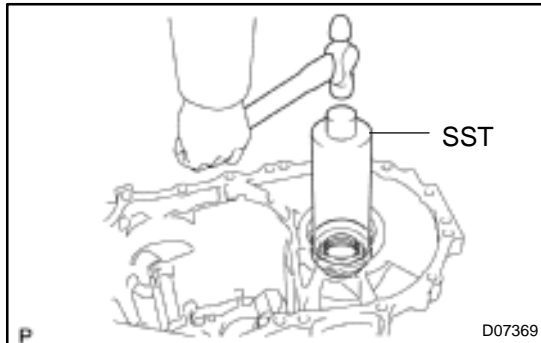


## REPLACEMENT

### 1. Transmission Case Side: REPLACE OIL SEAL AND TAPERED ROLLER BEARING OUTER RACE

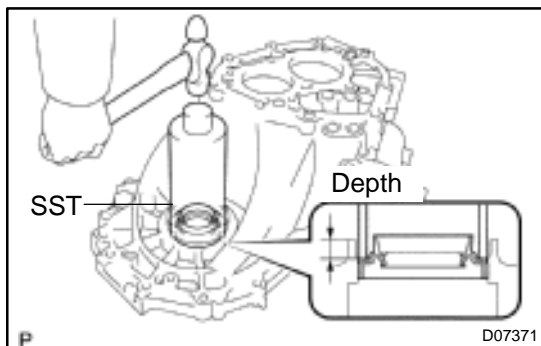
- (a) Using SST, remove the tapered roller bearing outer race and shim.

SST 09612-65014



- (b) Using SST and a hammer, tap out the oil seal.

SST 09226-10010



- (c) Using SST and a hammer, tap in a new oil seal.

SST 09226-10010

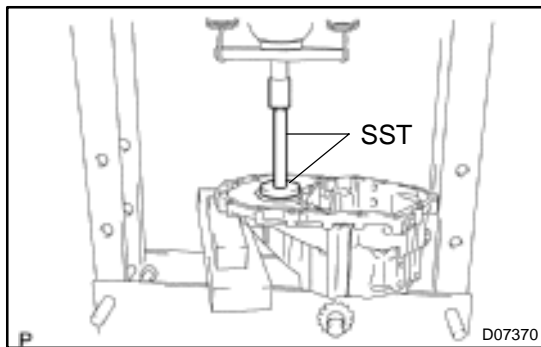
**Depth: 9.9 ± 0.3 mm (0.390 ± 0.012 in.)**

- (d) Coat the lip of the oil seal with MP grease.

- (e) Place the shim into the differential case.

**HINT:**

In case that the tapered roller bearing is new, install the shim by selecting among the thin ones. In case that the tapered roller bearing is a used one, its better to install the shim which has the same thickness before disassembling.

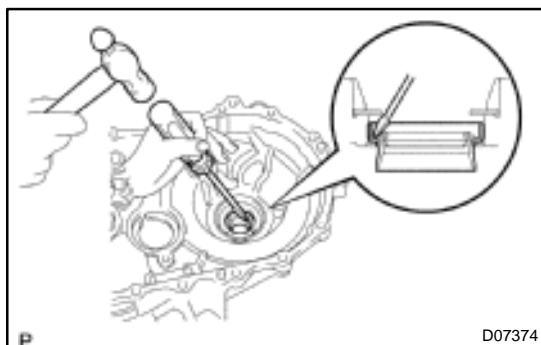


- (f) Using SST and a press, press in a new tapered roller bearing outer race.

SST 09950-60020 (09951-00710), 09950-70010 (09951-07150)

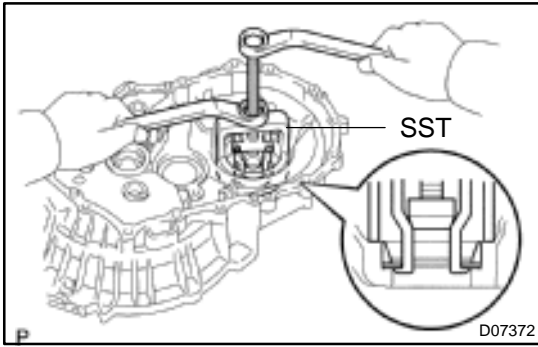
**NOTICE:**

**When replacing the tapered roller bearing outer race, replace the tapered roller bearing along with it.**

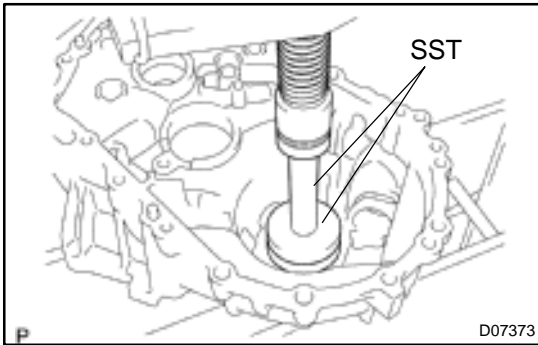


### 2. Transaxle Case Side: REPLACE OIL SEAL AND TAPERED ROLLER BEARING OUTER RACE

- (a) Using a screwdriver and a hammer, tap out the oil seal.



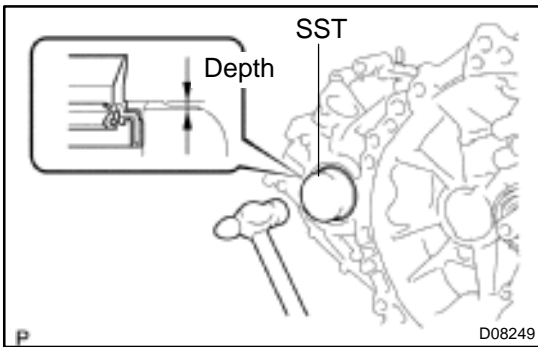
- (b) Using SST, remove the tapered roller bearing outer race and spacer.  
SST 09612-65014
- (c) Place the spacer into the differential case.



- (d) Using SST and a press, press in a new tapered roller bearing outer race.  
SST 09950-60020 (09951-00680), 09950-70010 (09951-07150)

**NOTICE:**

**When replacing the tapered roller bearing outer race, replace the tapered roller bearing along with it.**



- (e) Using SST and a hammer, tap in a new oil seal.  
SST 09710-28021 (09710-08041)  
**Depth: 1.9 ± 0.3 mm (0.075 ± 0.012 in.)**
- (f) Coat the lip of the oil seal with MP grease.