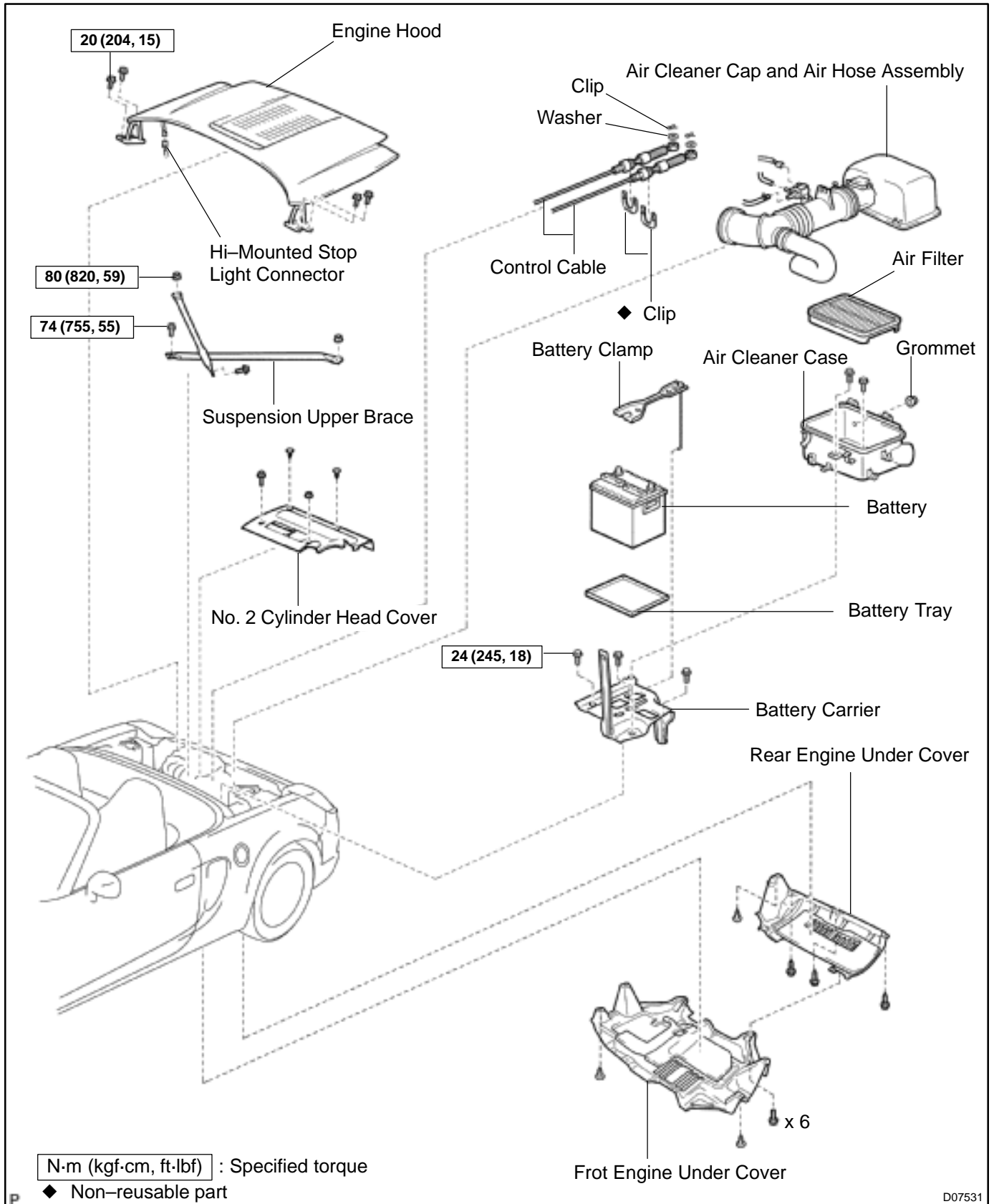
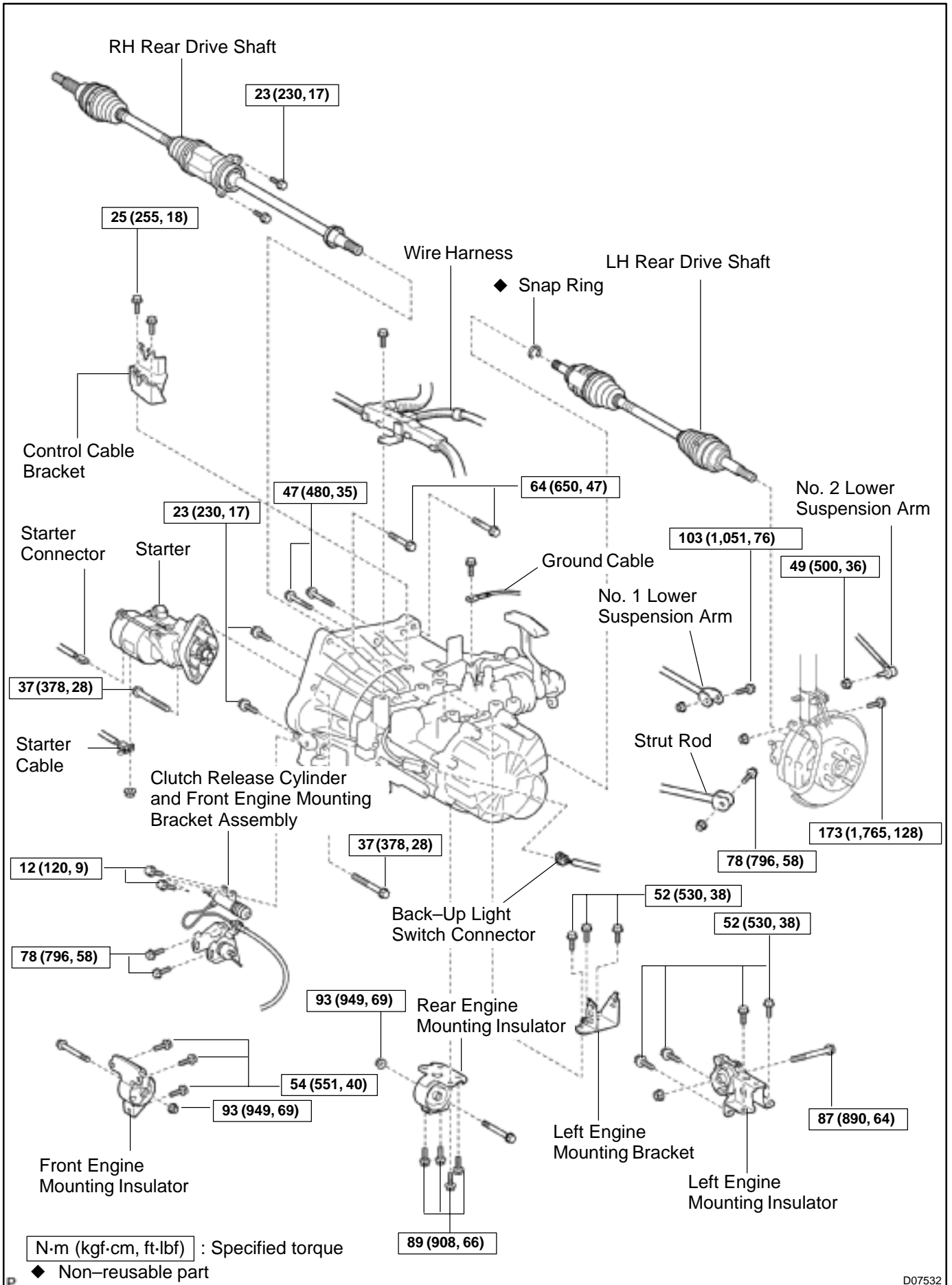


MANUAL TRANSAXLE UNIT COMPONENTS

MX09F-02



D07531



D07532