

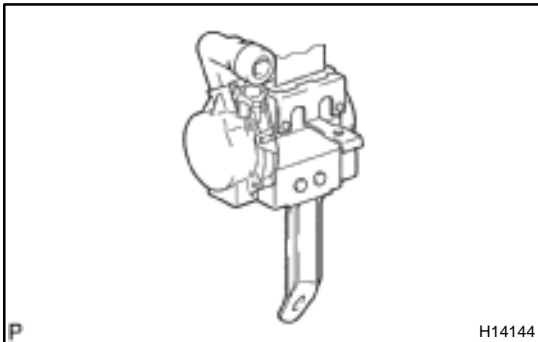
## INSPECTION

### 1. PRETENSIONER IS NOT ACTIVATED

- (a) Perform a diagnostic system check (See page [DI-237](#)).



- (b) Perform a visual check which includes the following items with the front seat outer belt removed from the vehicle.
- Check for cuts and cracks in, or marked discoloration on the quarter trim panel.
  - Check for cuts and cracks in wire harness, and for chipping in connectors.
  - Check for deformation of the center floor No. 3 crossmember.

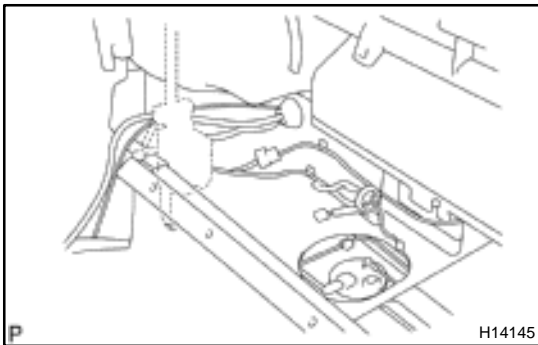


### NOTICE:

For removal and installation of the front seat outer belt, see pages [BO-59](#) and [BO-68](#).

### 2. PRETENSIONER IS ACTIVATED

- (a) Perform a diagnostic system check (See page [DI-237](#)).



- (b) Perform a visual check which includes the following items with the front seat outer belt removed from the vehicle.
- Check for deformation of the center floor No. 3 crossmember.
  - Check for damage on the connector and wire harness.