

# SEAT BELT PRETENSIONER REMOVAL

BO20E-02

## NOTICE:

- If the wiring connector of the seat belt pretensioner is disconnected with the ignition switch at ON diagnostic trouble codes will be recorded.
- Never use seat belt pretensioner from another vehicle. When replacing parts, replace them with new parts.

### 1. REMOVE FRONT DOOR SCUFF PLATE

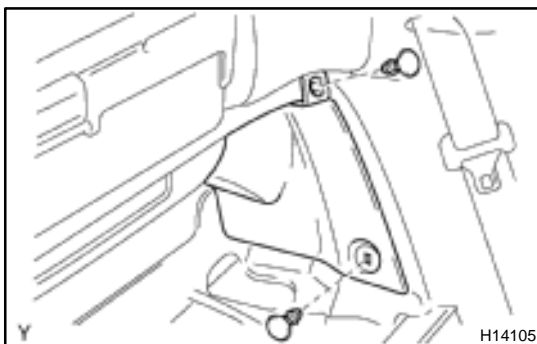
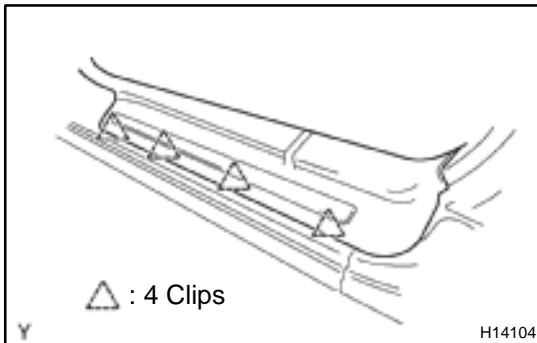
Using a screwdriver, remove the front door scuff plate.

#### HINT:

Tape the screwdriver tip before use.

### 2. REMOVE LUGGAGE COMPARTMENT LIDS

Remove 6 bolts and luggage compartment lids.

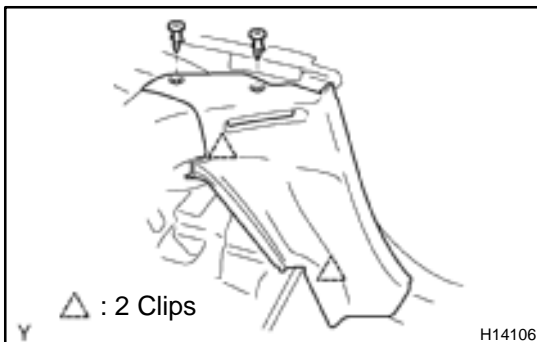


### 3. REMOVE LOWER REAR SEPARATOR TRIM COVER

- Remove the screw and scrip
- Using a screwdriver, remove the lower rear separator trim cover.

#### HINT:

Tape the screwdriver tip before use.

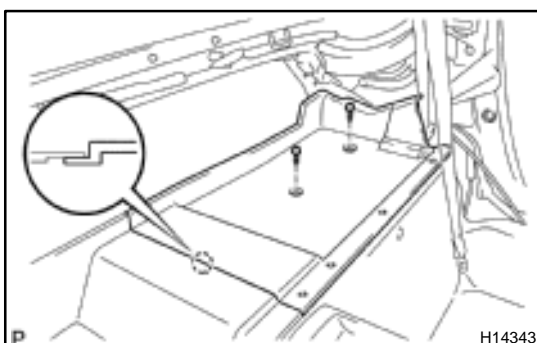


### 4. REMOVE QUARTER TRIM PANEL

- Remove the floor anchor mounting bolt and disconnect the front seat outer belt.
- Remove the 2 clips.
- Using a screwdriver, remove the quarter trim panel.

#### HINT:

Tape the screwdriver tip before use.



### 5. REMOVE LUGGAGE COMPARTMENT BOX

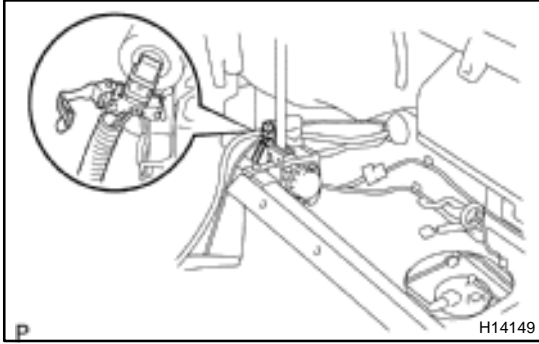
- Remove the 2 screws.
- Using a screwdriver, remove the luggage compartment box.

#### HINT:

Tape the screwdriver tip before use.

### 6. REMOVE FRONT SEAT OUTER BELT

- Remove the shoulder anchor mounting bolt and disconnect the front seat outer belt.



- (b) Disconnect the pretensioner connector as shown in the illustration.

**NOTICE:**

**When removing the seat belt pretensioner, work must be started 90 seconds after the ignition switch is turned to the "LOCK" position and the negative (-) terminal cable is disconnected from the battery.**

- (c) Remove the 2 bolts and retractor of front seat outer belt.
- (d) Only driver's side:  
Disconnect the connector of the retractor switch.