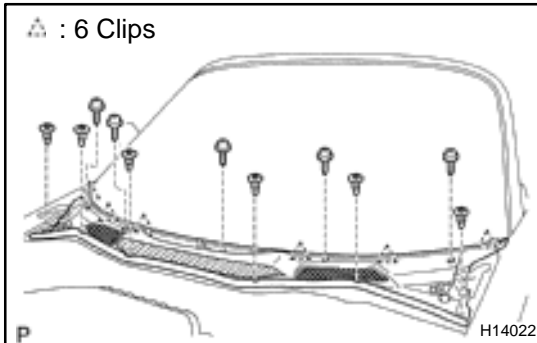


REMOVAL

1. REMOVE WIPER ARMS

Remove the wiper arm head cap, 2 nuts and 2 wiper arms.



2. REMOVE COWL TOP VENTILATOR LOUVER

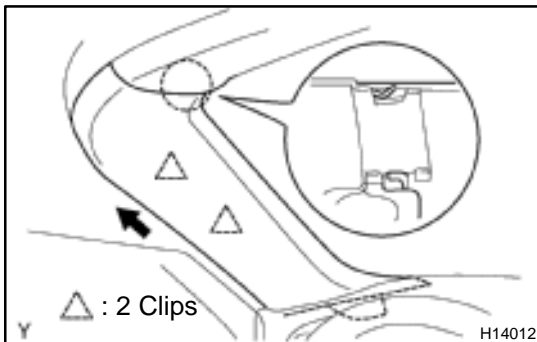
- Remove the 5 screws and 6 clips.
- Using a screwdriver, remove the cowl top ventilator louver.

HINT:

Tape the screwdriver tip before use.

3. REMOVE REMOVABLE ROOF HOOK

Remove the 2 screws and removable roof hook.



4. REMOVE FRONT PILLAR GARNISHS

- Using a screwdriver, remove the front pillar garnish.

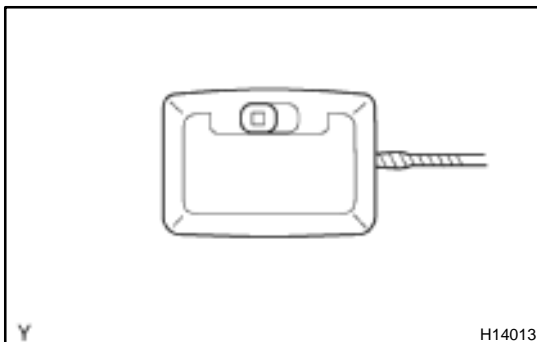
HINT:

Tape the screwdriver tip before use.

- Employ the same manner described above to the other side.

5. REMOVE SUN VISORS

Remove the 4 screws and sun visors.



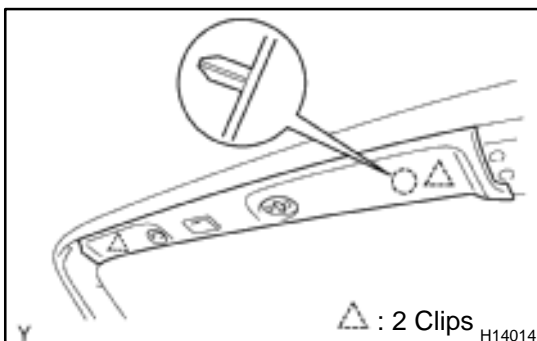
6. REMOVE MAP LIGHT ASSEMBLY

- Using a screwdriver, remove the map light cover.

HINT:

Tape the screwdriver tip before use.

- Remove the 2 screws and map light assembly, then disconnect the connector.



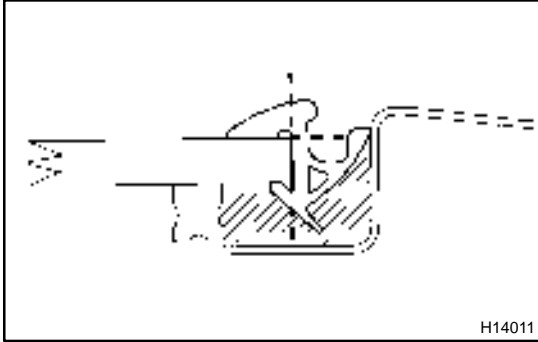
7. REMOVE FRONT ROOF HEADLINING TRIM

Using a screwdriver, remove the front roof headlining.

HINT:

Tape the screwdriver tip before use.

8. REMOVE INNER REAR VIEW MIRROR ASSEMBLY



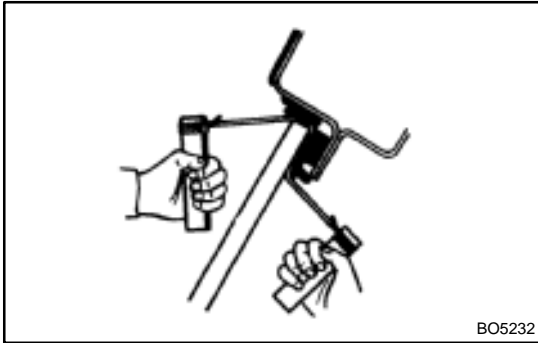
9. REMOVE WINDSHIELD OUTSIDE MOULDING

- (a) Using a knife, cut off the moulding as shown in the illustration.

NOTICE:

Do not damage the body with the knife.

- (b) Remove the remaining moulding.



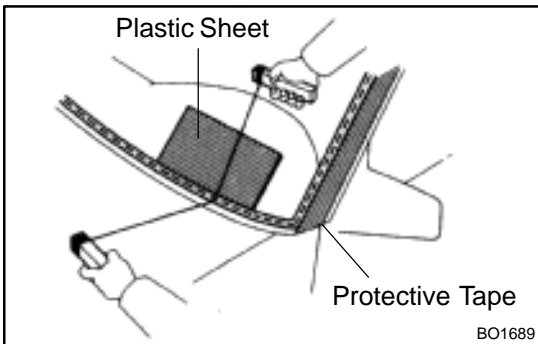
10. REMOVE WINDSHIELD GLASS

- (a) Insert a piano wire between the body and glass, let it pass through.

- (b) Tie both wire ends to wooden blocks or similar objects.

NOTICE:

Be careful not to damage the wire harness.



- (c) Cut the adhesive by pulling the piano wire around it.

NOTICE:

When separating the glass, take care not to damage the paint and exterior ornaments. To prevent the safety pad from being scratched when removing the windshield, place a plastic sheet between the piano wire and safety pad.

HINT:

Apply protective tape to the outer surface to keep the surface from being scratched.

- (d) Remove the glass.

NOTICE:

Leave the adhesive on the body as much as possible when cutting off the glass.